

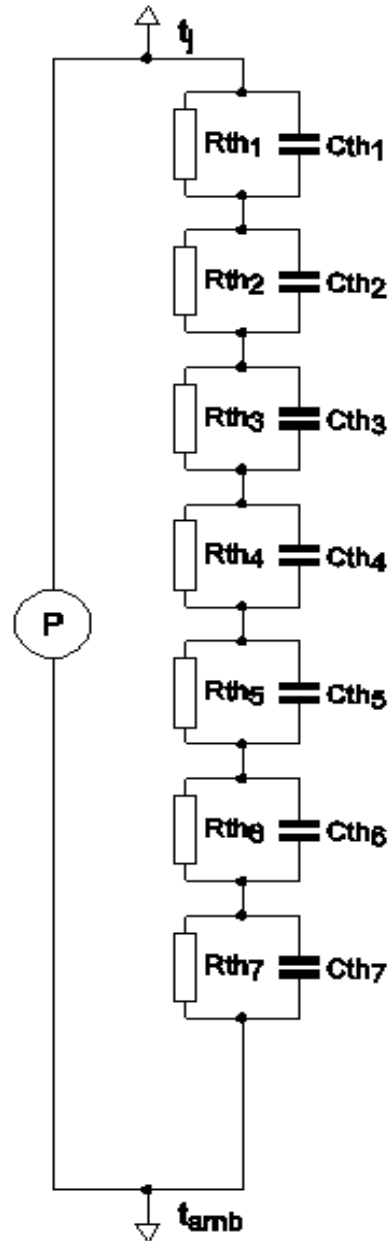
## SPICE thermal model

BUK7Y9R9-80E

| Symbol         | Parameter   | Conditions | Min | Typ | Max  | Unit |
|----------------|---|------------|-----|-----|------|------|
| $R_{th(j-mb)}$ | thermal resistance from junction to mounting base |            | -   | -   | 0.77 | K/W  |

|           |             |
|-----------|-------------|
| $C_{th1}$ | 6.162E-05 F |
| $C_{th2}$ | 4.070E-04 F |
| $C_{th3}$ | 4.396E-04 F |
| $C_{th4}$ | 3.634E-03 F |
| $C_{th5}$ | 6.243E-03 F |
| $C_{th6}$ | 1.557E-02 F |
| $C_{th7}$ | 1.939E-01 F |

|           |                    |
|-----------|--------------------|
| $R_{th1}$ | 1.359E-03 $\Omega$ |
| $R_{th2}$ | 2.443E-03 $\Omega$ |
| $R_{th3}$ | 1.954E-02 $\Omega$ |
| $R_{th4}$ | 2.996E-02 $\Omega$ |
| $R_{th5}$ | 1.383E-01 $\Omega$ |
| $R_{th6}$ | 5.185E-01 $\Omega$ |
| $R_{th7}$ | 6.149E-02 $\Omega$ |



Part: BUK7Y9R9-80E

Date: 25/1/2013

Rth 0.77 K/W